



On the cutting edge:  
**InnoTech Atira drawer system**

Key aspects at a glance

# InnoTech Atira

## On the cutting edge

InnoTech Atira is the drawer system for individualists. Its clean, defined contours are a charismatic design statement in the kitchen and in all living areas:

- ▶ Striking, versatile and flexible
- ▶ Attractive variety of colours
- ▶ Various add on elements create attractive design features
- ▶ Modular solution for individually tailored interior organisation

Show that you have the edge – with the exceptional Atira drawer system.



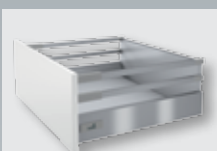
# InnoTech Atira platform concept

## One drawer side profile for all options

Would you like to be on the market with a broad range of furniture? And yet still produce in a lean and cost efficient manner? If so, InnoTech Atira is the perfect drawer system for you. Because all drawer and pull-out versions are based on one single drawer side profile. Low complexity makes InnoTech Atira particularly cost effective:

- ▶ Lean, flexible production
- ▶ Low costs in production and stock keeping
- ▶ Broad product range, thousands of ways to differentiate

The InnoTech Atira platform concept gives you an infinite choice of functionality and design options in return for little cost and effort.



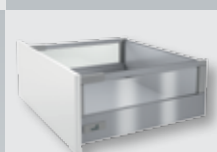
Pot-and-pan drawer with double railing, height 176 mm



Pot-and-pan drawer with railing and metal TopSide, height 176 mm



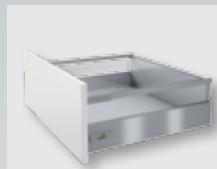
Pot-and-pan drawer with railing, height 176 mm



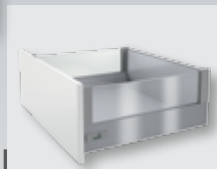
Pot-and-pan drawer with railing and glass TopSide, height 176 mm



Base = drawer side profile, height 70 mm



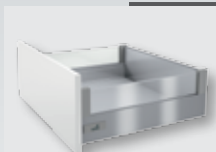
Pot-and-pan drawer with railing, height 144 mm



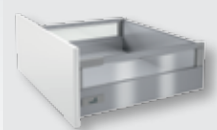
Pot-and-pan drawer with DesignSide, height 176 mm



Pot-and-pan drawer with railing and TopSide in metal, height 144 mm



Pot-and-pan drawer with DesignSide, height 144 mm



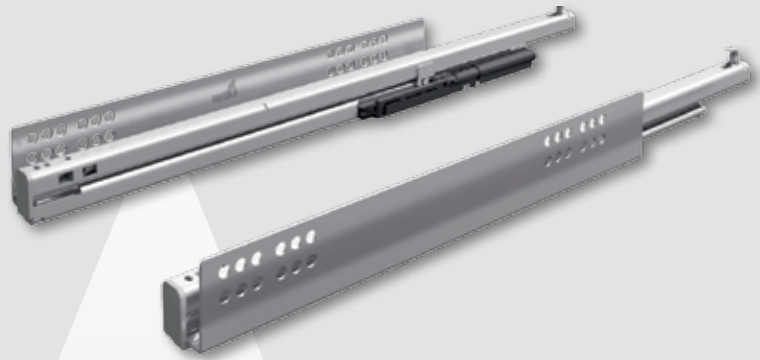
Pot-and-pan drawer with railing and TopSide in glass, height 144 mm

>Loading capacity

50 kg

**Full extension runner**

Quadro V6+ with Push to open  
Quadro V6+ with Silent System



30kg

**Full extension runner**

Quadro V6 with Push to open  
Quadro V6 with Silent System



25 kg

**Partial extension runner**

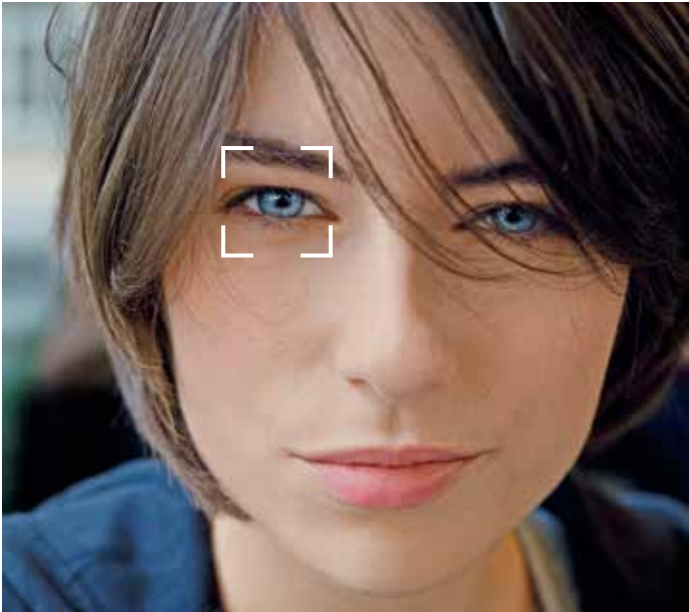
Quadro 25 with Silent System  
Quadro 25 with Stop Control





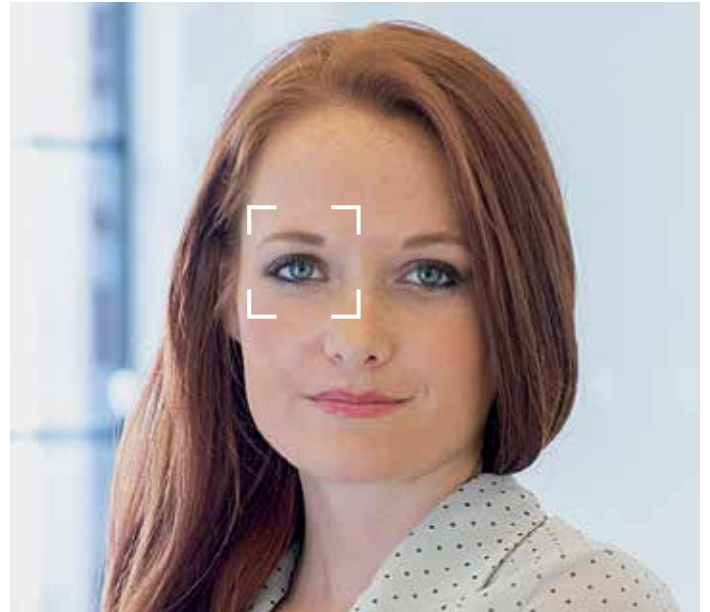
**InnoTech Atira design flexibility:**  
Striking design. More options.





## InnoTech Atira interior organisation: Versatile and flexible.

- ▶ Outside: clean cut lines
- ▶ Inside: clear structure
- ▶ Practical details and functions
- ▶ Perfect organisation and use of storage space







# InnoTech Atira system based range: Boundless potential for differentiation

drawer side profile height

70 mm

176 mm



Rear panel heights

144 mm



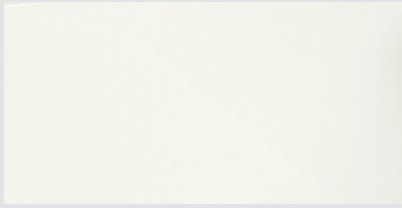
70 mm



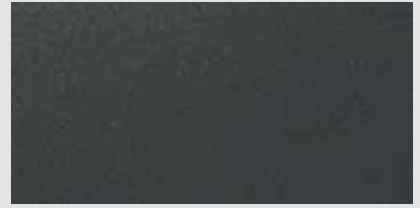
### Surface colours



silver

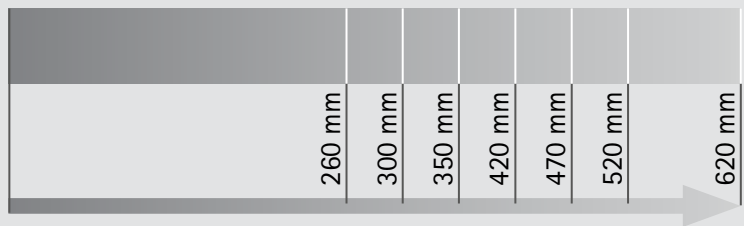
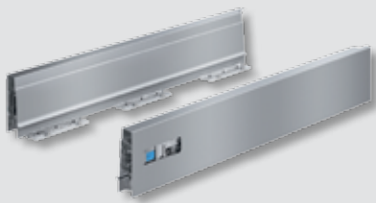


white

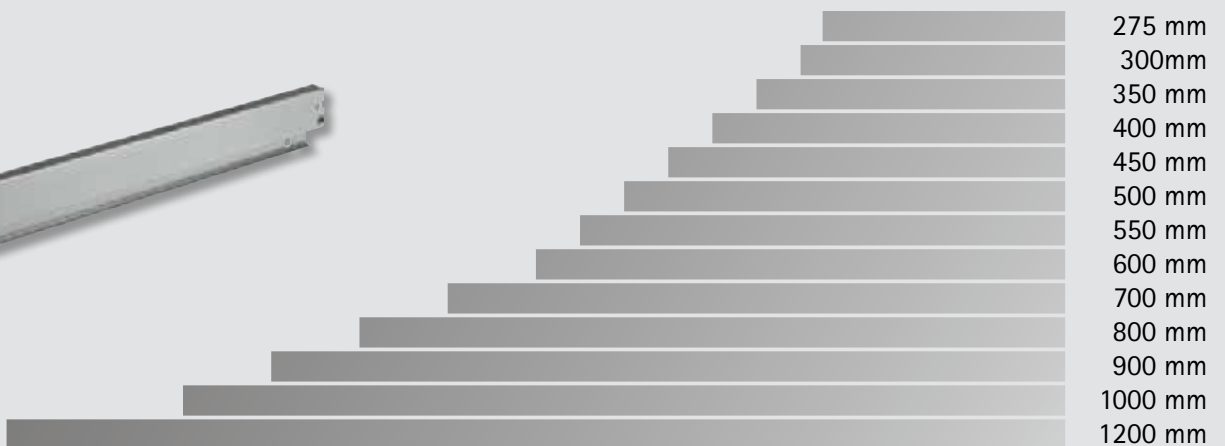


anthracite

### Drawer side profile lengths



### Carcase widths



25 kg

30kg

50 kg

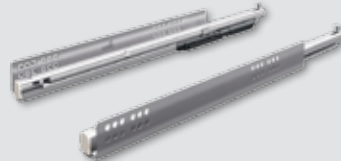
### Partial extension runner

### Full extension runner

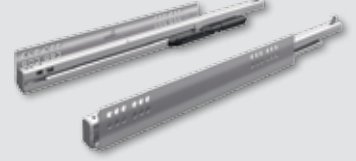
### Full extension runner



Quadro 25 with Stop Control  
Quadro 25 with Silent System

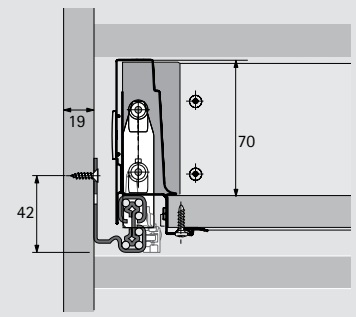
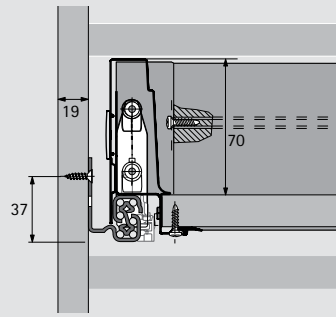
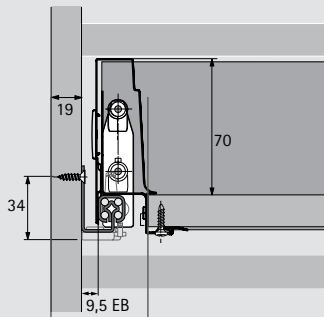


Quadro V6 with Silent System  
Quadro V6 with Push to open

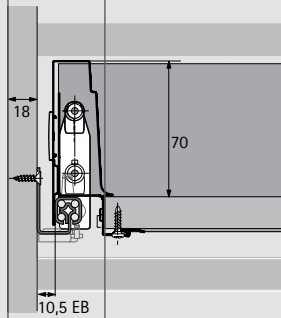


Quadro V6+ with Silent System  
Quadro V6+ with Push to open

KD 19

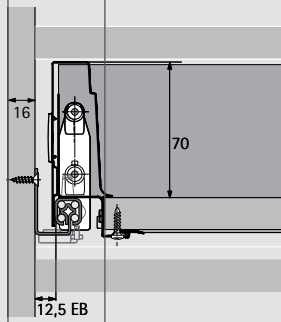


KD 18



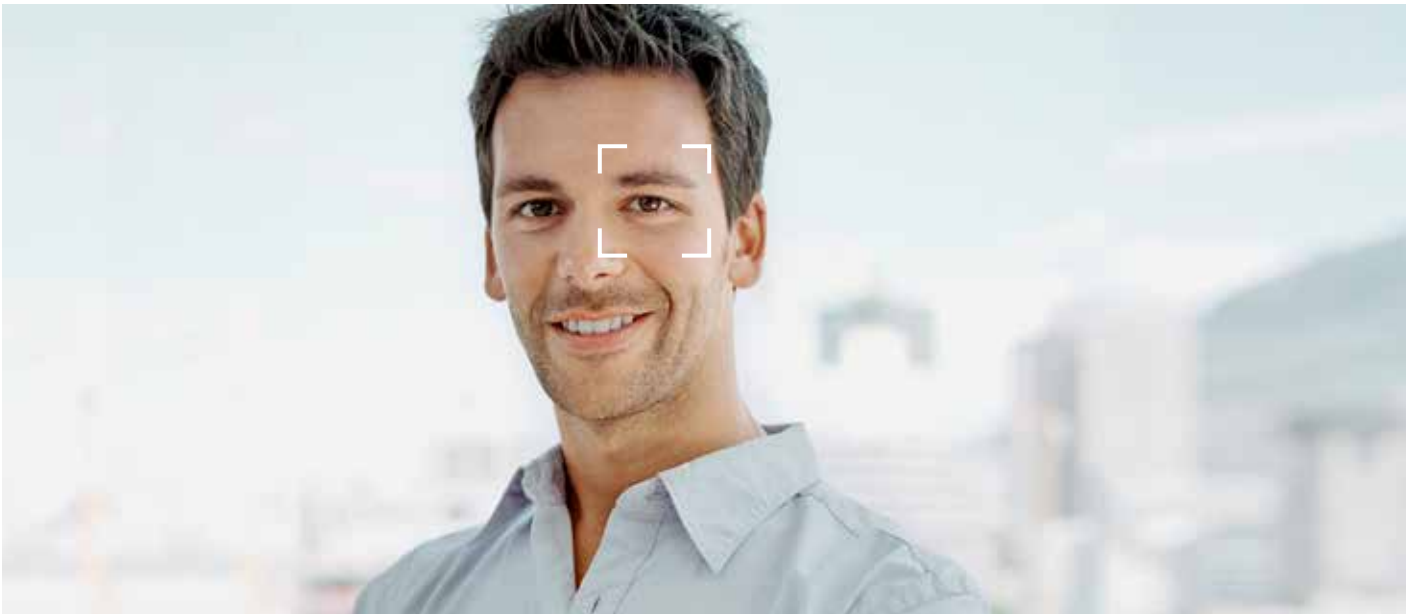
- Runners in three load categories: 25, 30 and 50 kg
- No need to alter drawer dimensions for different carcass side thicknesses (KD)

KD 16



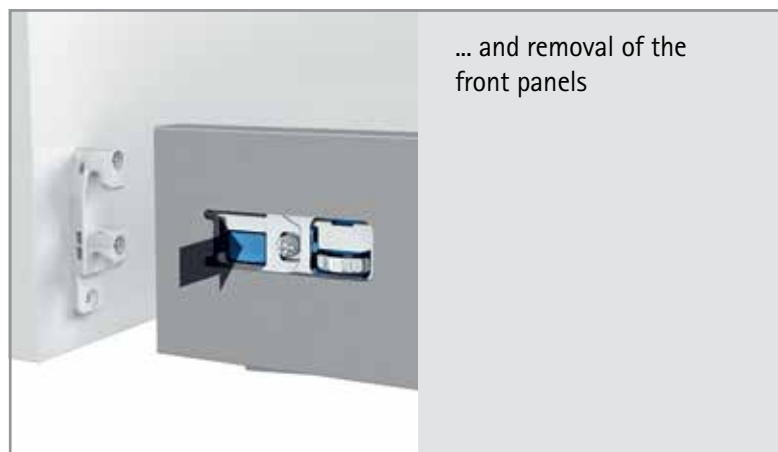
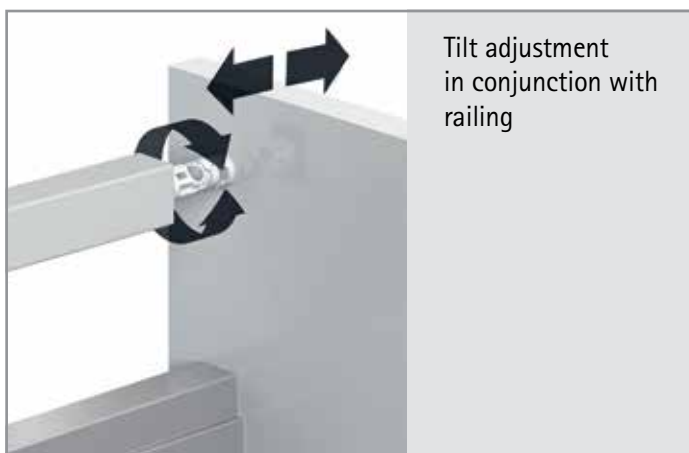
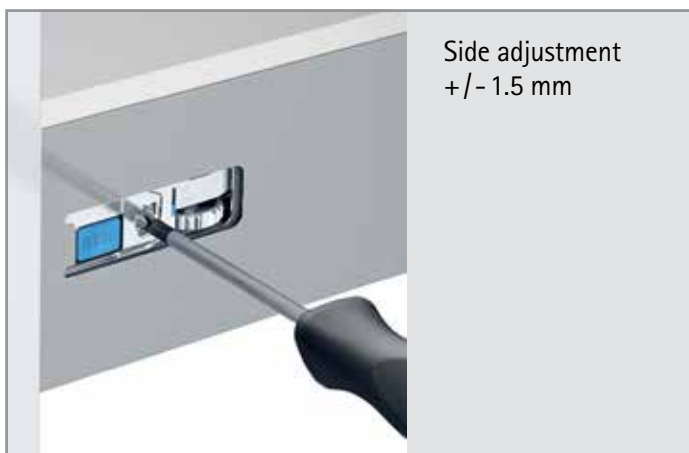
- Railing holes already provided in the front panel can be used for DesignSide and TopSide
- Easy to swap and change: identical hole positions in the carcass are possible for the same drawer side profile







# Assembling and adjusting InnoTech Atira: Convenience from the word go



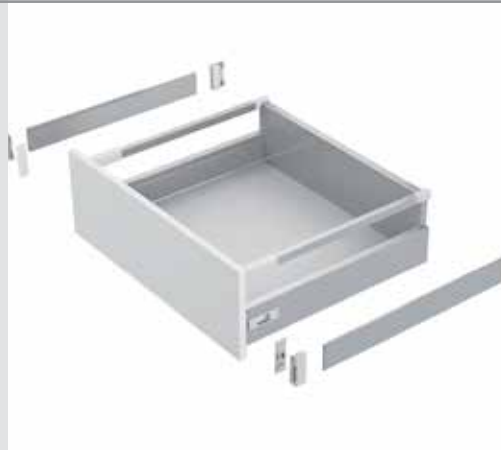


# InnoTech Atira

## Change designs with minimum effort

### TopSide under the railing Installation/removal

- Push back railing adapter
- Hook rear TopSide adapter onto rear panel
- Slide in TopSide
- Push on front TopSide adapter
- Position TopSide underneath the railing and fix in place by means of clip
- Move railing adapter up to the front panel



- DesignSide fits into existing front panel drill hole
- Screw in drawer front connector
- Position DesignSide between drawer front connector and rear panel
- Slide in clip on rear panel and snap in



# InnoTech Atira

## Accessories and add ons



### Electromechanical opening system Easys

- Gentle opening in response to a light press
- Greatest possible design flexibility
- Space saving: with shallow installed depth with no loss of storage space
- Suitable for all depths and widths
- Extremely short opening movement
- Suitable for carcasses with and without sealing lip



Purist, handleless design can be created with Easys Perfect for a look of perfection – also for large, heavy pull-outs.



Space saving and with a shallow installed depth, the electromechanical opening system discreetly disappears behind the drawer's rear panel.



An optional cable avoids collisions in face angle applications.



Easys can be used in a variety of applications: for InnoTech, InnoTech Atira and ArciTech ... even for wooden drawers and pull-out for sink units.

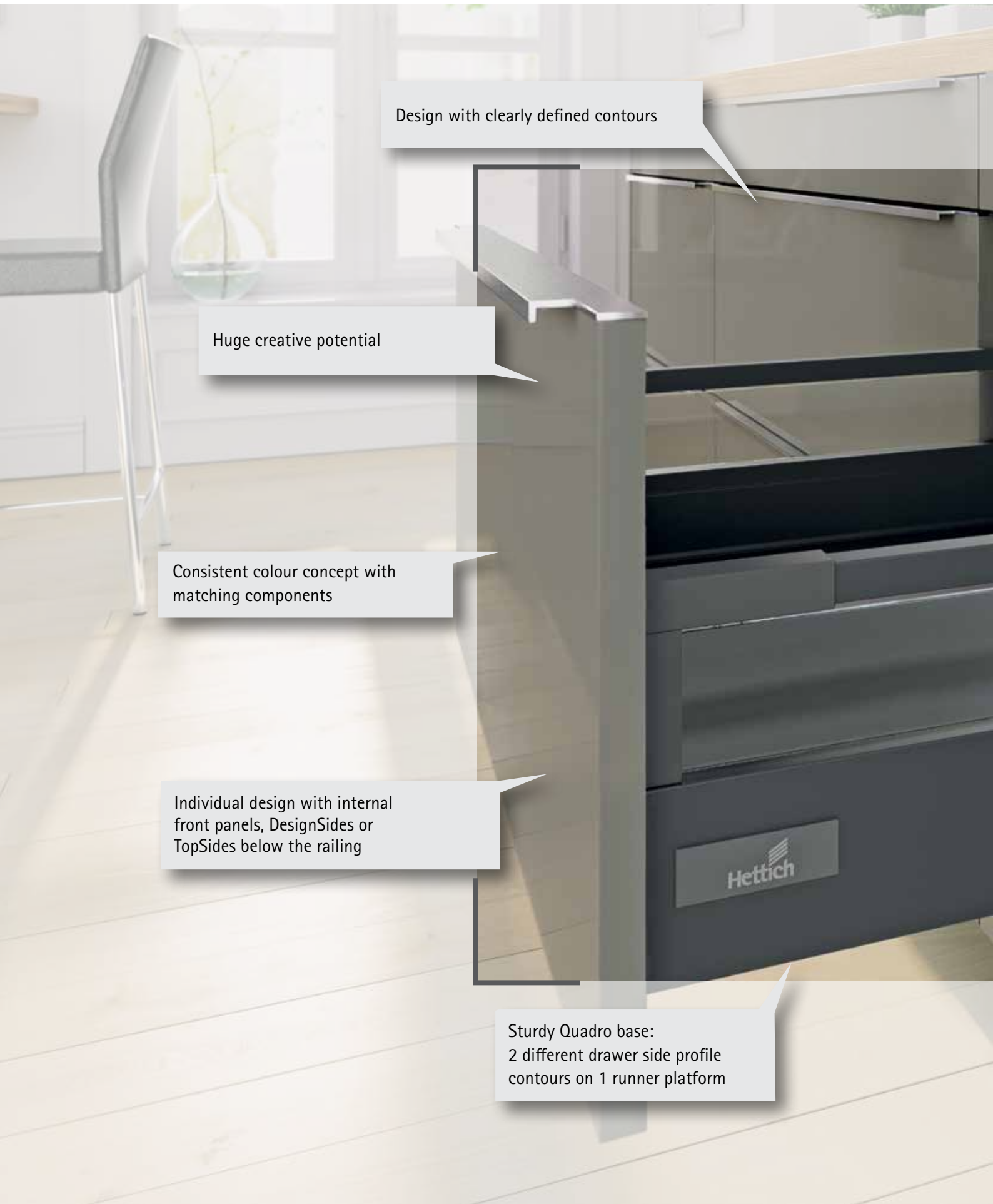


Mechanical opening system  
**Push to open**

- Opening in response to a light press
- For handleless furniture design and practical convenience
- Easy assembly without cables or additional components. Only the runner is replaced.



# InnoTech Atira: benefits at a glance



Design with clearly defined contours

Huge creative potential

Consistent colour concept with matching components

Individual design with internal front panels, DesignSides or TopSides below the railing

Sturdy Quadro base:  
2 different drawer side profile contours on 1 runner platform



Platform concept: for creating marks of distinction with lean and efficient processes in production and warehousing

Fast and easy installation

Easy to change from railing to TopSide or DesignSide (identical drilling pattern throughout)

4 heights, 7 lengths 260 – 620 mm

Secure and sturdy connection between drawer and runner

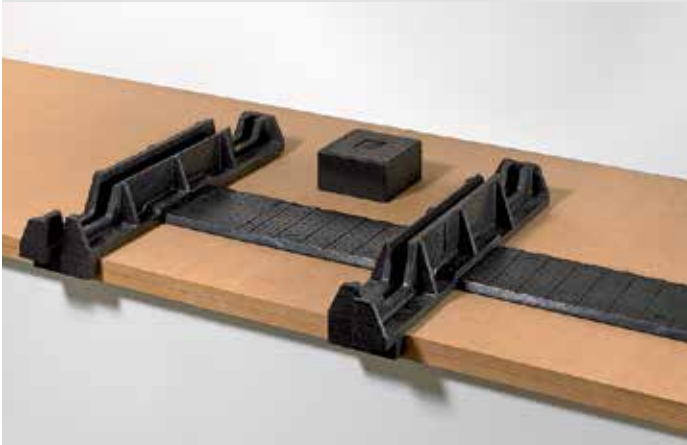
Quadro runner: great performance, perfect reveal alignment

From partial extension runner without Silent System to the full extension runner with Silent System and Push to open

## InnoTech Atira

### Assembly aids

#### InnoFit 100



- Simple fixture
- Manual assembly
- Efficiency: up to 15 drawers an hour

#### InnoFit 200



- Sturdy frame
- Manual assembly
- Efficiency: up to 40 drawers an hour

You will find further assembly aids in the latest Furniture Fittings and Applications catalogue.

## InnoFit 300



- Semi automatic
- Manual component positioning
- Drawer side profile and bottom panel pressed together pneumatically
- Efficiency: up to 65 drawers an hour

## InnoFit 400



- automatic assembly/installation machine
- Automatic component positioning
- Components pressed together electropneumatically
- Efficiency: up to 100 drawers an hour

[www.hettich.com](http://www.hettich.com)

Technik für Möbel

